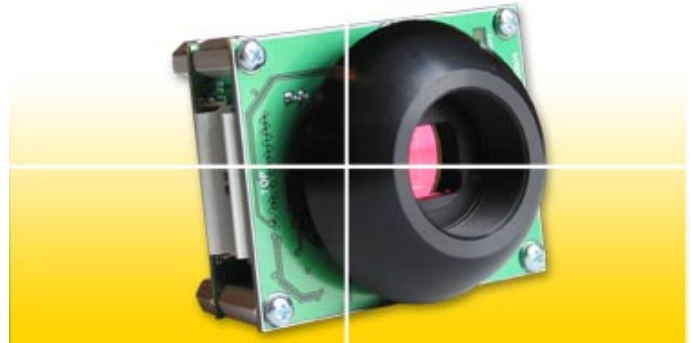


3.1 Megapixel USB 2.0 Camera



Outline

Lumenera's Lu370 series of megapixel cameras are designed to be used in a wide variety of applications where high resolution is required. Color camera (only) models currently available.

With 2048x1536 resolution and on-board processing these cameras deliver outstanding image quality and value for industrial and security imaging applications.

Uncompressed images in live streaming video and still image capture are provided across a USB 2.0 digital interface. No framegrabber is required. Advanced camera control is available through a complete Software Developer's Kit, with sample code available to quickly integrate camera functions into OEM applications.

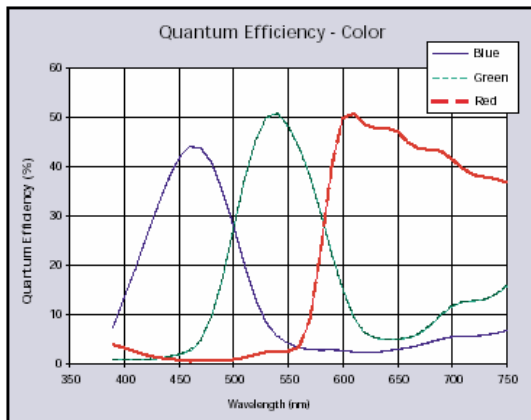
Hardware and software based synchronization trigger is provided standard. Lu370 model cameras are offered in both enclosed and board-level form. Custom form factor (sizes) can be provided.

An experienced team of software developers and application engineers supports all Lumenera products. We understand your imaging needs and are here to help you with your integration and development. Products come with a full one (1) year warranty.

Performance Features

- ❑ **3.1 Megapixel, Color, Progressive Scan Sensor**
- ❑ **High speed USB 2.0 (480Mbits/sec)**
- ❑ **Low noise CMOS technology**
- ❑ **6 fps at full 2048x1536 resolution
20 fps at 1600x1200 (sub-window)**
- ❑ **Higher frame rate at lower resolution with full sub-window control**
- ❑ **Auto White Balance & Auto Exposure**
- ❑ **Snapshot mode for use with strobe**
- ❑ **GPI/Os for control of peripherals and synchronization of lighting (4in/4out)**
- ❑ **FCC Class B, CE Ready**
- ❑ **RGB Bayer video output**
- ❑ **Select 8 or 10-bit pixel data**
- ❑ **Simplified cabling - video, power and full camera control over a single USB cable**
- ❑ **C-Mount provided**
- ❑ **DirectShow compatible**
- ❑ **USB cameras are software compatible with Windows™ 98 SE, Windows ME, Windows 2K and Windows XP operating systems**
- ❑ **Complete SDK available**

Image Sensor	1/2" format, color, 6.5mm x 4.9mm array
Effective Pixels	2048 x 1536, 3.2um square pixels
Frame Rate	6 fps at 2048x1536, 20 fps at 1024x768 (sub-sampled)
Sensitivity	High
Dynamic Range	60dB
Auto Exposure	Automatic / Manual
White Balance	Automatic / Manual
Dimensions (W x H x D)	2.00 x 2.50 x 1.63 inches (board level) 2.25 x 3.85 x 1.56 inches (enclosed)
Mass	~150g / 300g
Power Requirement	USB bus power, or external 6VDC, 500mA
Power Consumption	~2.5 Watts
Operating Temperature	0°C to +50°C
Operating Humidity	0% - 95%, Non-condensing
Interface Connector	Standard USB
Lens Mount (Lens not included)	C-Mount (CS-Mount option)

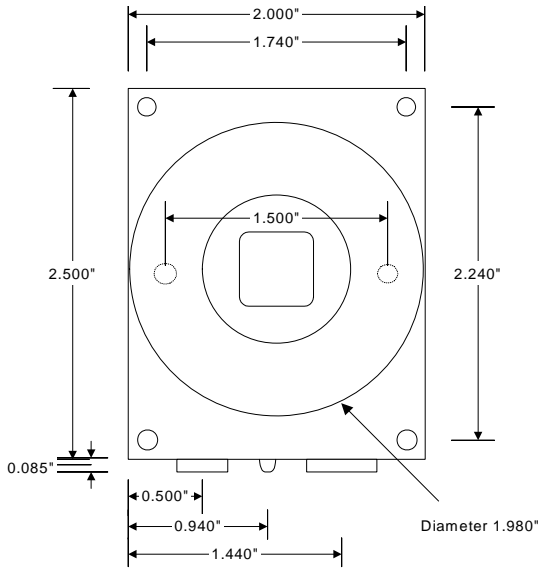


Ordering Information

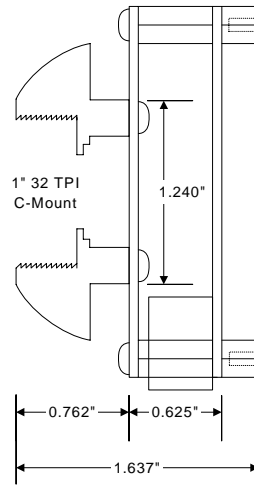
- Lu370C – Color Camera Module
- Lu375C – Enclosed Color Camera
- LuSDK – Software Developer's Kit

**Full customization
available to meet your
exact needs!**

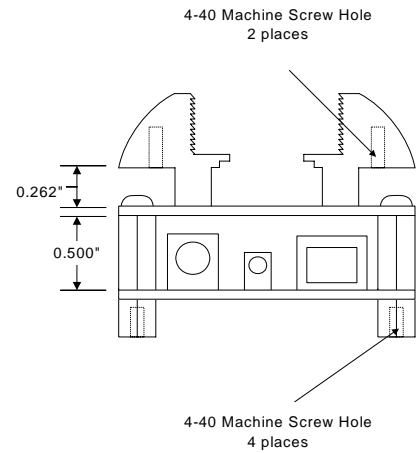
OEM Board-Level Camera



Front



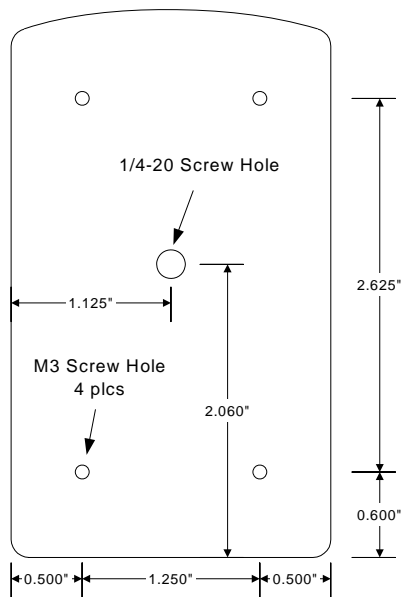
Side



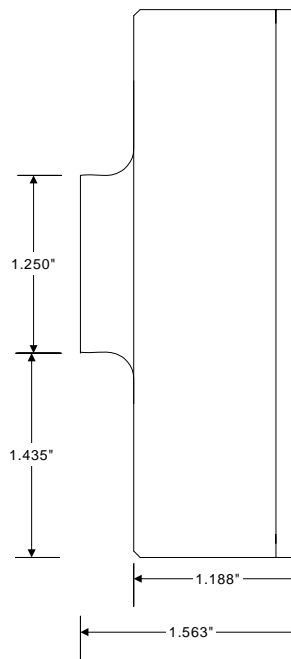
Bottom

Enclosed Camera

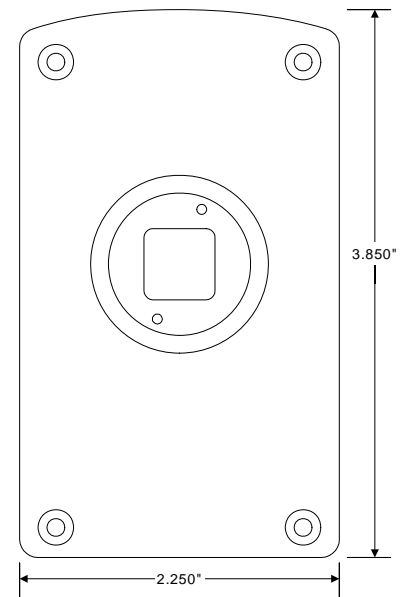
Back



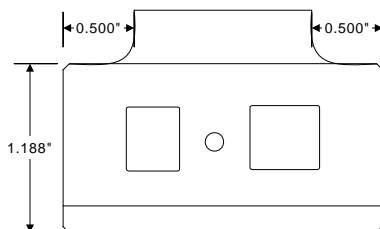
Side



Front



Bottom



* Anodized aluminum, std color - black