

5.0 Megapixel USB 2.0 Camera



Outline

Lumenera's Lw570/Lw575 series of megapixel cameras are designed to be used in a wide variety of applications, particularly where high resolution is required.

With 2592x1944 resolution and on-board processing these cameras deliver outstanding image quality and value for industrial and security imaging applications.

Uncompressed images in live streaming video and still image capture are provided across a USB 2.0 digital interface. No framegrabber is required. Advanced camera control is available through a complete Software Developer's Kit (SDK), with sample code available to quickly integrate camera functions into OEM applications.

Hardware and software based synchronization trigger is provided standard. Camera models are offered in both enclosed (Lw570) and board-level form (Lw575). Custom form factor (sizes) can be provided. Color camera (only) models currently available.

An experienced team of software developers and application engineers supports all Lumenera products. We understand your imaging needs and are here to help you with your integration and development.

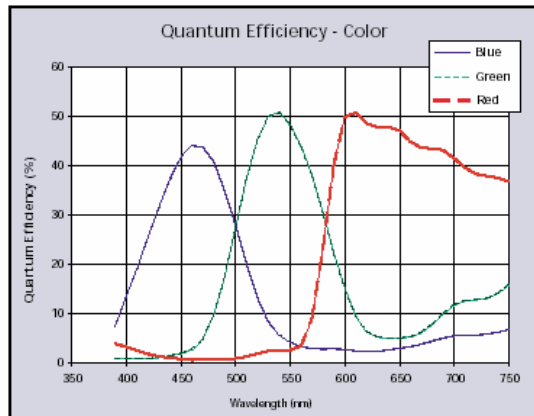
Performance Features

- 5.0 Megapixel, Color, Progressive Scan Sensor**
- High-speed USB 2.0 (480Mbits/sec)**
- Low noise CMOS technology**
- 7 fps at full 2592x1944 resolution, 60 fps at VGA resolution with full sub-window control**
- Auto White Balance & Auto Exposure**
- Snapshot mode for use with strobe**
- GPI/Os for control of peripherals and synchronization of lighting (4in/4out)**
- FCC Class B, CE Ready**
- RGB Bayer video output**
- Select 8 or 12-bit pixel data**
- Simplified cabling - video, power and full camera control over a single USB cable**
- C-Mount provided**
- DirectShow compatible**
- USB cameras are software compatible with Windows™ 98 SE, Windows ME, Windows 2K and Windows XP operating systems**
- Complete SDK available**
- Full one (1) year warranty**

Specifications

Lw570

Image Sensor	1/2.5" format, color, 6.5mm x 4.9mm array
Effective Pixels	2592x1944, 2.2µm square pixels
Frame Rate	7 fps at 2592x1944, 60 fps at VGA (sub-sampled)
Sensitivity	High
Dynamic Range	60dB
Auto Exposure	Automatic / Manual
White Balance	Automatic / Manual
Dimensions (W x H x D)	2.00 x 2.50 x 1.63 inches (board level) 2.25 x 3.85 x 1.56 inches (enclosed)
Mass	~150g / 300g
Power Requirement	USB bus power, or external 5VDC, 500mA
Power Consumption	~2.5 Watts
Operating Temperature	0°C to +50°C
Operating Humidity	5% - 95%, Non-condensing
Interface Connector	Standard USB
Lens Mount (Lens not included)	C-Mount (CS-Mount option)



Ordering Information

Lw570C	– Board-level Color Camera Module
Lw575C	– Enclosed Color Camera
LuSDK	– Software Developer's Kit

Full customization available to meet your exact needs!

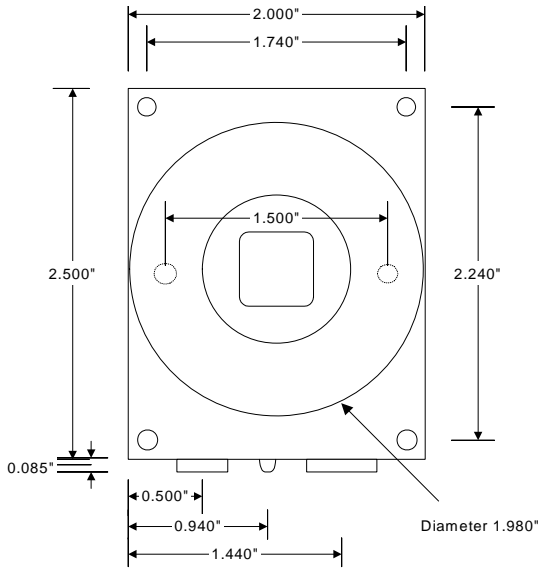
Available Options:

Without sensor cover glass
Without mount
Board Level/Enclosed
F-Mount

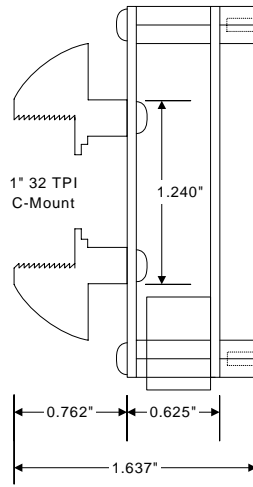
Contact us for more specific details.

Full customization available to meet your exact needs!

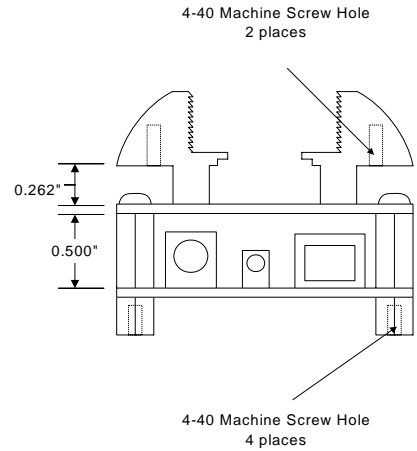
OEM Board-Level Camera



Front



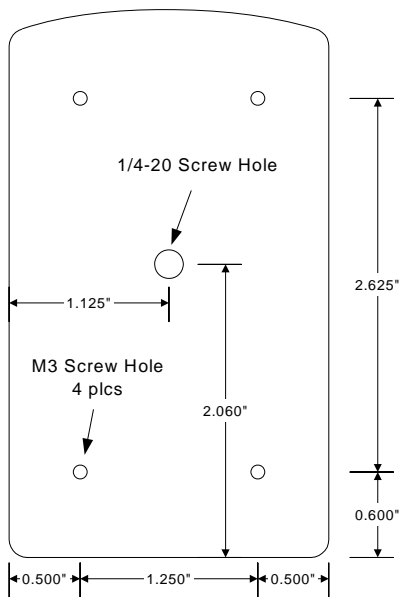
Side



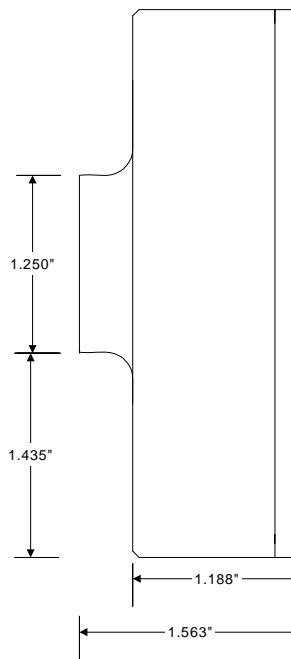
Bottom

Enclosed Camera *

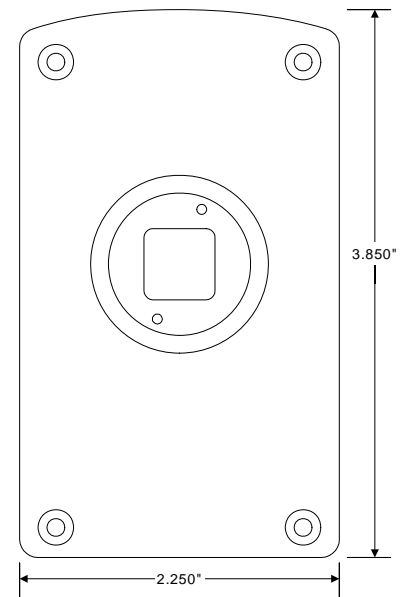
Back



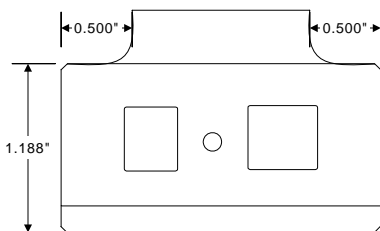
Side



Front



Bottom



* Anodized aluminum, std color - black